



**LEGEND**



**NOTES**

This drawing is to be read in conjunction with all other relevant documentation.  
All dimensions, changes, levels, and coordinates are in metres unless defined otherwise.

This drawing is to be read in conjunction with the project health & safety file for any identified potential risks.

The drawing is the copyright of Arcus and cannot be reproduced in any form without the express consent of the company. Written and scaled dimensions to be checked on site, and any discrepancies should be reported to Arcus prior to work commencing on Site.

Reproduced from Ordnance Survey digital map data © Crown copyright 2022. All rights reserved. License number 100048606.

**ISSUE PURPOSE**

Environmental Statement  
APFP Regulation: 5(2)(a)

**PINS REFERENCE NUMBER**

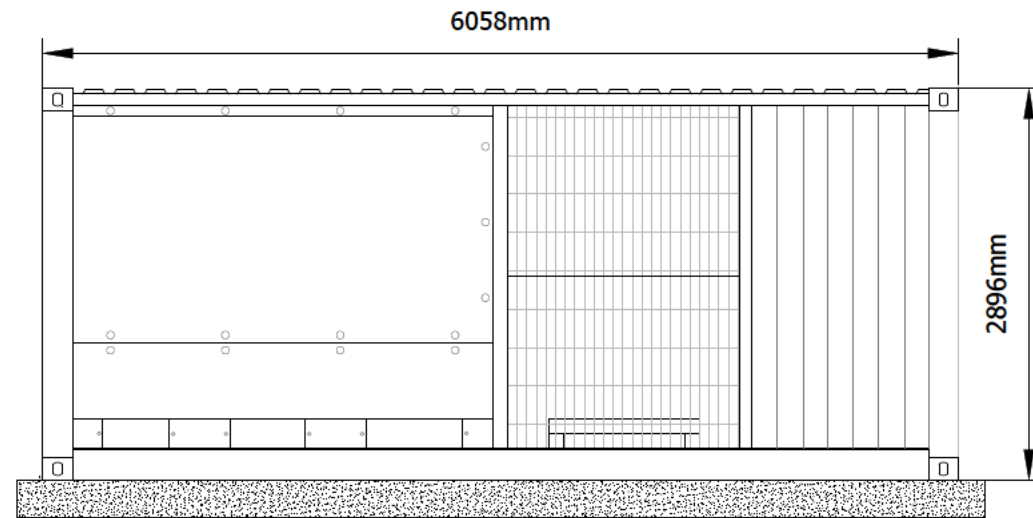
EN010118

**FIGURE TITLE**

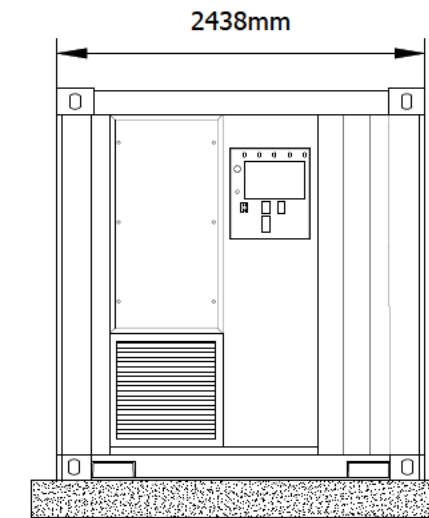
Inverter Substation Typical Detail

**FIGURE NUMBER**

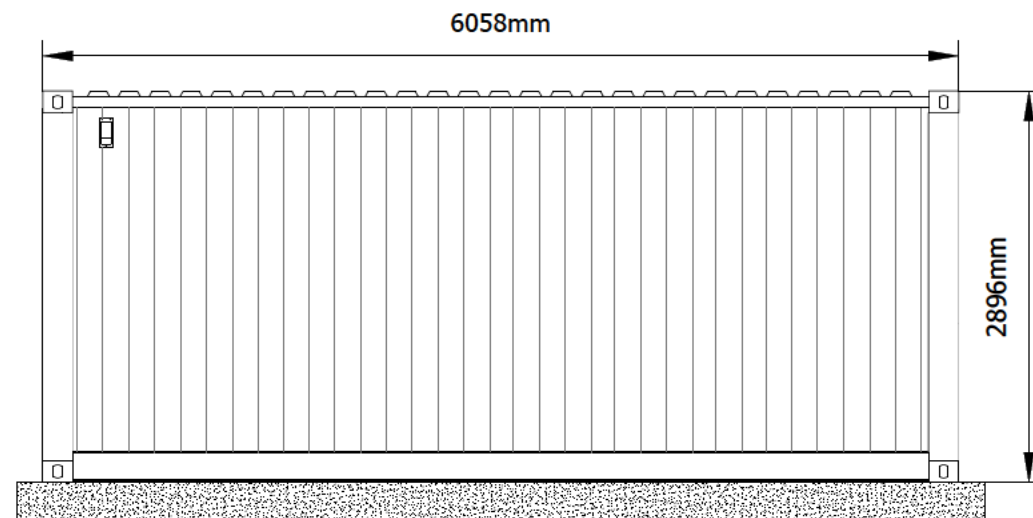
Figure 2-17



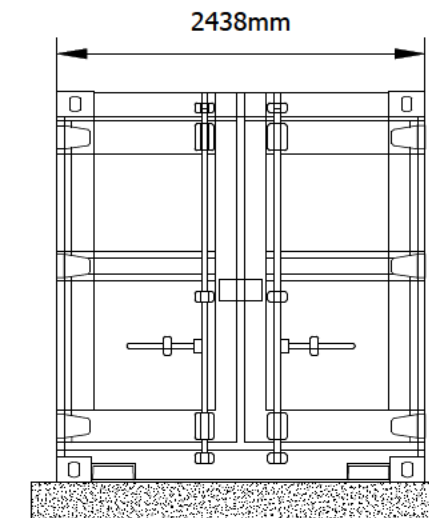
**FRONT ELEVATION**



**END ELEVATION**



**REAR ELEVATION**



**END ELEVATION**

FOR ILLUSTRATION PURPOSES ONLY



THIS DRAWING HAS BEEN PREPARED IN ACCORDANCE WITH THE SCOPE OF ARCUS APPOINTMENT WITH ITS CLIENT AND IS SUBJECT TO THE TERMS AND CONDITIONS OF THAT APPOINTMENT. ARCUS ACCEPTS NO LIABILITY FOR ANY USE OF THIS DOCUMENT OTHER THAN BY ITS CLIENT AND ONLY FOR THE PURPOSES FOR WHICH IT WAS PREPARED AND PROVIDED.